

# Cheese Slicer Plans

1. Position slicer on flat surface as shown in Figure 1
2. Loosen set screw and turn handle upward as shown by arrow in Figure 1
3. Using narrow object (such as a nail) push wire fastening pin out.
4. While holding the base, grasp metal bar and gently slide it outward until it clears cutting slot. Remove broken wire pieces.



FIGURE 1

5. Take new wire and place wire loop into cutting slot. Slide bar back into base passing the bar through wire loop.
6. With handle in raised position as shown in Figure 2, place the other wire loop into handle cavity and reinsert fastening pin passing it through loop.

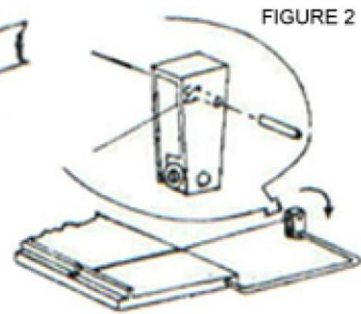
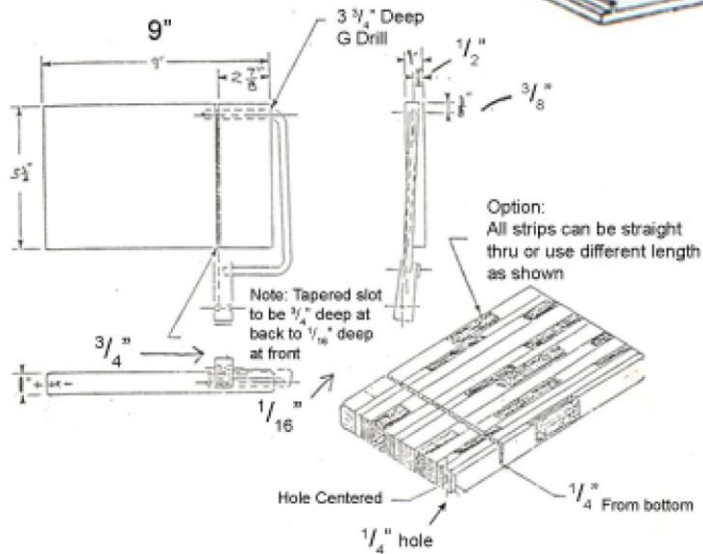


FIGURE 2

7. Turn the handle in the direction shown in Figure 2 until it comes to rest. Grasp handle and tighten set screw into metal bar.
8. Gently work bar either into or out of base until the wire is aligned with cutting slot.



9. Your Gourmet Cheese Slicer is now ready to use

**REPLACEMENT WIRES**  
For Each Wire  
Send \$1.25 in stamps and a self addressed, stamped envelope to:

Tom Fosseen  
PO Box 614  
High Rolls, NM 88325

©Copyright 2009 Tom Fosseen,  
Shope Supply House.

**SAFETY WARNING!** The use or ingestion of any item may be injurious to your or other's health. Before using observe all safety rules, use complete care, heed competent advise, consult OSHA, Washington, DC 20210.